

## FXV N and FXV Technical Data High Lift Pallet Trucks

---



FXV 14 N/Li-Ion

FXV 14 N (i)/Li-Ion

FXV 16 N/Li-Ion

FXV 16 N (i)/Li-Ion

FXV 14/Li-Ion

FXV 14 (i)/Li-Ion

FXV 16/Li-Ion

FXV 16 (i)/Li-Ion



FXV N and FXV High Lift Pallet Trucks  
Aiming high in narrow aisles

This specification sheet as per VDI Guideline 2198 only provides the technical values for the standard truck.  
Different tyres, other masts, additional equipment, etc. may produce different values.



Features			STILL	STILL	STILL	STILL	STILL	STILL	STILL	STILL	STILL
			FXV 14 N/Li-Ion	FXV 14 N (i)/Li-Ion	FXV 16 N/Li-Ion	FXV 16 N (i)/Li-Ion	FXV 14/Li-Ion	FXV 14 (i)/Li-Ion	FXV 16/Li-Ion	FXV 16 (i)/Li-Ion	FXV 16 (i)/Li-Ion
1.1	Manufacturer										
1.2	Manufacturer's model designation										
1.3	Drive		Electro	Electro	Electro	Electro	Electro	Electro	Electro	Electro	Electro
1.4	Operation		Ride-on truck	Ride-on truck	Ride-on truck	Ride-on truck	Ride-on truck	Ride-on truck	Ride-on truck	Ride-on truck	Ride-on truck
1.5	Nominal load		1400	1400 (2000)	1600	1600 (2000)	1400	1400 (2000)	1600	1600 (2000)	1600 (2000)
1.6	Load centre distance	Q	kg	600	600	600	600	600	600	600	600
1.8	Load distance	x	mm	724 <sup>3</sup>	724 <sup>3</sup>	724 <sup>3</sup>	724 <sup>3</sup>	724 <sup>3</sup>	724 <sup>3</sup>	724 <sup>3</sup>	724 <sup>3</sup>
1.9	Wheel base	y	mm	1597 <sup>3</sup>	1597 <sup>3</sup>	1597 <sup>3</sup>	1597 <sup>3</sup>	1603 <sup>3</sup>	1603 <sup>3</sup>	1603 <sup>3</sup>	1603 <sup>3</sup>
2.1	Service weight incl. battery		kg	1580 <sup>1</sup>	1499 <sup>1</sup>	1580 <sup>1</sup>	1499 <sup>1</sup>	1697 <sup>1</sup>	1616 <sup>1</sup>	1697 <sup>1</sup>	1616 <sup>1</sup>
2.2	Axle load, laden	drive end/load end	kg	1271/1909 <sup>1</sup>	1179/1920 <sup>1</sup>	1271/1909 <sup>1</sup>	1179/1920 <sup>1</sup>	1318/1979 <sup>1</sup>	1142/2074 <sup>1</sup>	1318/1979 <sup>1</sup>	1142/2074 <sup>1</sup>
2.3	Axle load, unladen	drive end/load end	kg	1050/530 <sup>1</sup>	971/528 <sup>1</sup>	1050/530 <sup>1</sup>	971/528 <sup>1</sup>	1119/578 <sup>1</sup>	1066/550 <sup>1</sup>	1119/578 <sup>1</sup>	1066/550 <sup>1</sup>
3.1	Tyres			Polyurethane	Polyurethane	Polyurethane	Polyurethane	Polyurethane	Polyurethane	Polyurethane	Polyurethane
3.2	Tyre size	drive end	∅ x l	mm	254 x 102	254 x 102	254 x 102	254 x 102	254 x 102	254 x 102	254 x 102
3.3	Tyre size	load end	∅ x l	mm	85 x 85 (2x 85 x 60) <sup>2</sup>	85 x 85 (2x 85 x 60) <sup>2</sup>	85 x 85 (2x 85 x 60) <sup>2</sup>	85 x 85 (2x 85 x 60) <sup>2</sup>	2x 85 x 60 <sup>2</sup>	2x 85 x 60 <sup>2</sup>	2x 85 x 60 <sup>2</sup>
3.4	Support rollers size			∅ x l	mm	2 x 140 x 50	2 x 140 x 50	2 x 140 x 50	2 x 140 x 50	2 x 140 x 50	2 x 140 x 50
3.5	Number of wheels (x = driven)					1 x+1/2 (1 x+1/4) <sup>2</sup>	1 x+1/2 (1 x+1/4) <sup>2</sup>	1 x+1/2 (1 x+1/4) <sup>2</sup>	1 x+1/4 <sup>2</sup>	1 x+1/4 <sup>2</sup>	1 x+1/4 <sup>2</sup>
3.6	Tread width		drive end/load end	b <sub>10</sub> /b <sub>11</sub>	mm	541/380	541/380	541/380	541/380	699/380	699/380
4.2	Height		mast lowered	h <sub>1</sub>	mm	see mast table	see mast table	see mast table	see mast table	see mast table	see mast table
4.3	Free lift			h <sub>2</sub>	mm	see mast table	see mast table	see mast table	see mast table	see mast table	see mast table
4.4	Lift			h <sub>3</sub>	mm	see mast table	see mast table	see mast table	see mast table	see mast table	see mast table
4.5	Height <sup>4</sup>		mast extended	h <sub>4</sub>	mm	see mast table	see mast table	see mast table	see mast table	see mast table	see mast table
4.6	Initial lift			h <sub>5</sub>	mm	-	125	-	125	-	125
4.7	Height above protective roof			h <sub>6</sub>	mm	2260	2260	2260	2260	2260	2260
4.8	Seat height rel. to SIP			h <sub>7</sub>	mm	1024	1024	1024	1024	1166	1166
4.10	Height of wheel arms			h <sub>8</sub>	mm	80	80	80	80	80	80
4.15	Fork height, lowered			h <sub>13</sub>	mm	86	86	86	86	86	86
4.19	Total length			l <sub>1</sub>	mm	2187 <sup>1</sup>	2187 <sup>1</sup>	2187 <sup>1</sup>	2187 <sup>1</sup>	2187 <sup>1</sup>	2187 <sup>1</sup>
4.20	Length including fork backs			l <sub>2</sub>	mm	1037 <sup>1</sup>	1037 <sup>1</sup>	1037 <sup>1</sup>	1037 <sup>1</sup>	1037 <sup>1</sup>	1037 <sup>1</sup>
4.21	Total width			b <sub>1</sub>	mm	820	820	820	820	970	970
4.22	Fork dimensions			s/e/l	mm	71/180/1150	71/180/1150	71/180/1150	71/180/1150	71/180/1150	71/180/1150
4.23	Wheel dimensions			s/e/l	mm	75/150/1115	75/150/1115	75/150/1115	75/150/1115	75/150/1115	75/150/1115
4.24	Fork carriage width			b <sub>3</sub>	mm	780	780	780	780	780	780
4.25	Overall fork width			b <sub>5</sub>	mm	560	560	560	560	560	560
4.26	Width between wheel arms			b <sub>4</sub>	mm	255	255	255	255	255	255
4.32	Ground clearance, centre of wheel base			m <sub>2</sub>	mm	30	20	30	20	30	20
4.34	Working aisle width for 800 x 1200 pallet lengthways			A <sub>st</sub>	mm	2606 <sup>1</sup>	2606 <sup>1</sup>	2606 <sup>1</sup>	2606 <sup>1</sup>	2619 <sup>1</sup>	2619 <sup>1</sup>
4.35	Turning radius			W <sub>a</sub>	mm	1783 <sup>1</sup>	1783 <sup>1</sup>	1783 <sup>1</sup>	1783 <sup>1</sup>	1796 <sup>1</sup>	1796 <sup>1</sup>
5.1	Driving speed		laden/unladen	km/h	10/10	10/10	10/10	10/10	10/12	10/12	10/12
5.2	Lifting speed		laden/unladen	m/s	0.144/0.447	0.144/0.447	0.144/0.447	0.144/0.447	0.144/0.447	0.144/0.447	0.144/0.447
	Lifting speed, initial lift		laden/unladen	m/s	0.045/0.088	0.045/0.088	0.045/0.088	0.045/0.088	0.045/0.088	0.045/0.088	0.045/0.088
5.3	Lowering speed, initial lift		laden/unladen	m/s	0.076/0.072	0.076/0.072	0.076/0.072	0.076/0.072	0.076/0.072	0.076/0.072	0.076/0.072
	Lowering speed		laden/unladen	m/s	0.343/0.342	0.343/0.342	0.343/0.342	0.343/0.342	0.343/0.342	0.343/0.342	0.343/0.342
5.8	Max. gradeability		unladen/laden/2000 kg on initial lift	%	20/11/-	20/11/9	20/11/-	20/11/9	20/31/-	20/13/12	20/31/-
5.10	Service brake					Electromagnetic	Electromagnetic	Electromagnetic	Electromagnetic	Electromagnetic	Electromagnetic
6.1	Drive motor, rating S2 = 60 min.			kW	3.0	3.0	3.0	3.0	3.0	3.0	3.0
6.2	Lift motor, rating at S3 = 10%			kW	3.2	3.2	3.2	3.2	3.2	3.2	3.2
6.3	Battery as per DIN 43531/35/36 A, B, C, no				3PzS	3PzS	3PzS	3PzS	3PzS	3PzS	3PzS
6.4	Battery voltage/rated capacity K <sub>s</sub>			V/Ah	24/300 Li-Ion: 23/205	24/300 Li-Ion: 23/205	24/300 Li-Ion: 23/205	24/300 Li-Ion: 23/205	24/300 Li-Ion: 23/205	24/300 Li-Ion: 23/205	24/300 Li-Ion: 23/205
6.5	Battery weight ±5% (depends on manufacturer)			kg	290	290	290	290	290	290	290
6.6	Energy consumption according to VDI cycle			kWh/1h	1.65	1.65	1.65	1.65	1.41	1.41	1.41
6.7	Handling capacity			t/h	64	64	64	64	67	67	67
8.1	Transmission control				AC control	AC control	AC control	AC control	AC control	AC control	AC control
10.7	Noise level (at operator's ear)			dB(A)	65	65	65	65	65	65	65
	Human vibrations: Acceleration in accordance with EN 13059			m/s <sup>2</sup>	0.56	0.56	0.56	0.56	0.56	0.56	0.56

<sup>1</sup> With 3PzS battery  
<sup>2</sup> With tandem rollers  
<sup>3</sup> Initial lift lowered  
<sup>4</sup> With load backrest + 566 mm

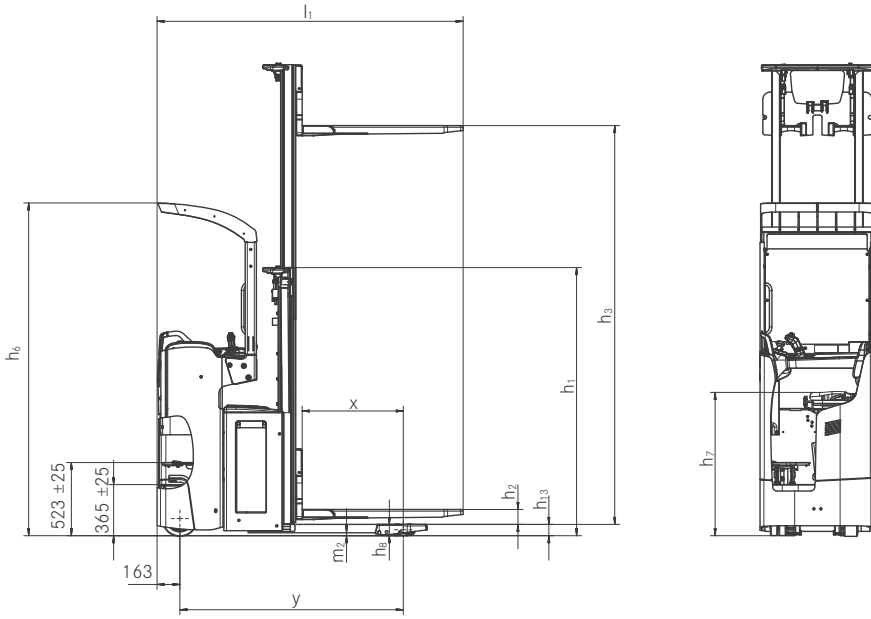
Mast Tables

FXV 14/16 N (i)			Telescopic mast							HiLo mast				Triplex mast				
	Height	h <sub>1</sub>	mm	1415	1665	1915	2115	2365	2565	2815	1415	1665	1915	2115	2365	1915	2065	2265
	Mast height with used free lift	h <sub>1</sub> <sup>1</sup>	mm	1490	1740	1990	2190	2440	2640	2890	-	-	-	-	-	-	-	-
	Free lift	h <sub>2</sub>	mm	150	150	150	150	150	150	150	895	1145	1395	1595	1845	1395	1545	1745
	Lift	h <sub>3</sub>	mm	1844	2344	2844	3244	3744	4144	4644	1844	2344	2844	3244	3744	4266	4716	5316
	Height, mast extended	h <sub>4</sub>	mm	2364	2864	3364	3764	4264	4664	5164	2364	2864	3364	3764	4264	4786	5236	5836

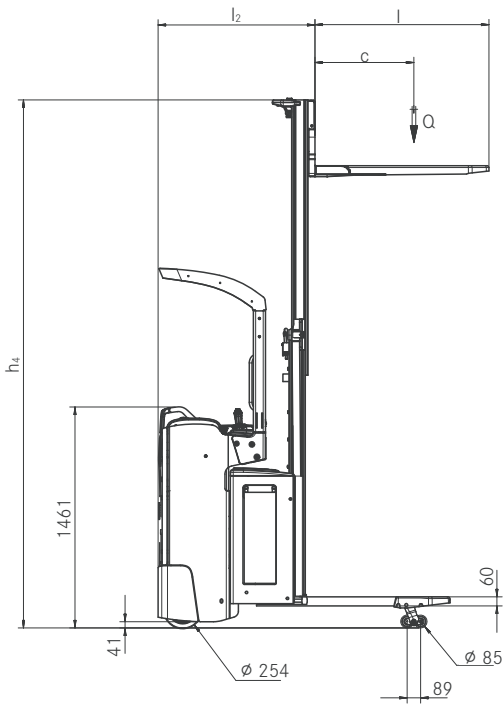
  

FXV 14/16 (i)			Telescopic mast							HiLo mast				Triplex mast				
	Height	h <sub>1</sub>	mm	1415	1665	1915	2115	2365	2565	2815	1415	1665	1915	2115	2365	1915	2065	2265
	Mast height with used free lift	h <sub>1</sub> <sup>1</sup>	mm	1490	1740	1990	2190	2440	2640	2890	-	-	-	-	-	-	-	-
	Free lift	h <sub>2</sub>	mm	150	150	150	150	150	150	150	895	1145	1395	1595	1845	1395	1545	1745
	Lift	h <sub>3</sub>	mm	1844	2344	2844	3244	3744	4144	4644	1844	2344	2844	3244	3744	4266	4716	5316
	Height, mast extended	h <sub>4</sub>	mm	2364	2864	3364	3764	4264	4664	5164	2364	2864	3364	3764	4264	4786	5236	5836

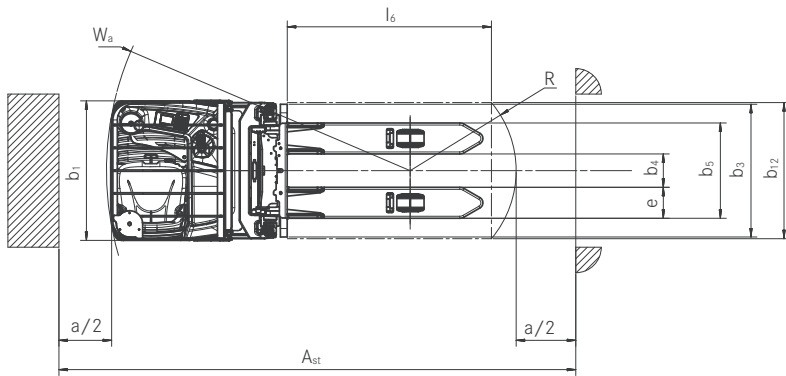
FXV N High Lift Pallet Truck  
 Technical Drawings



Side view FXV N

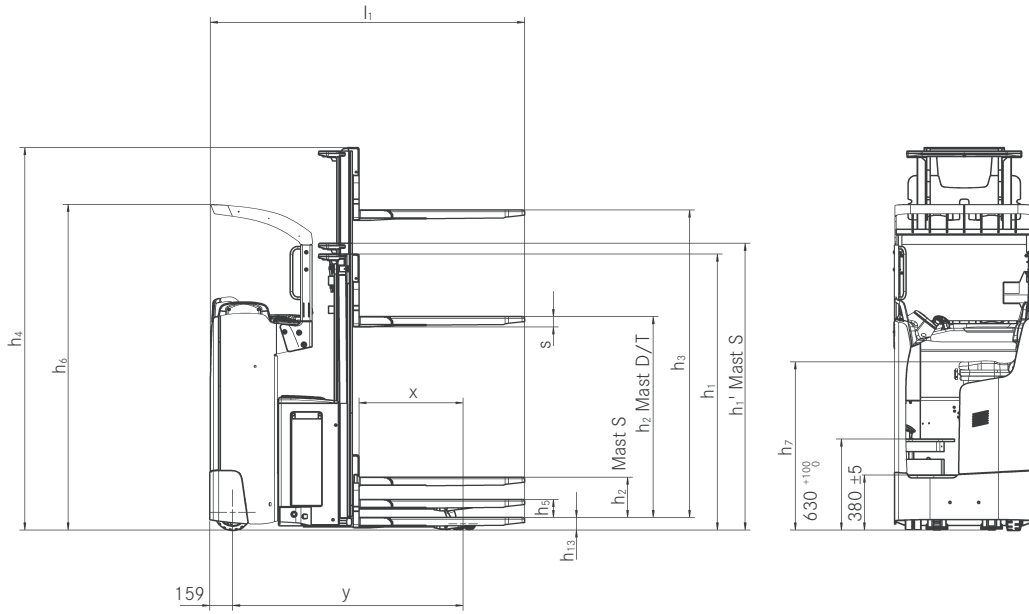


Side view FXV N

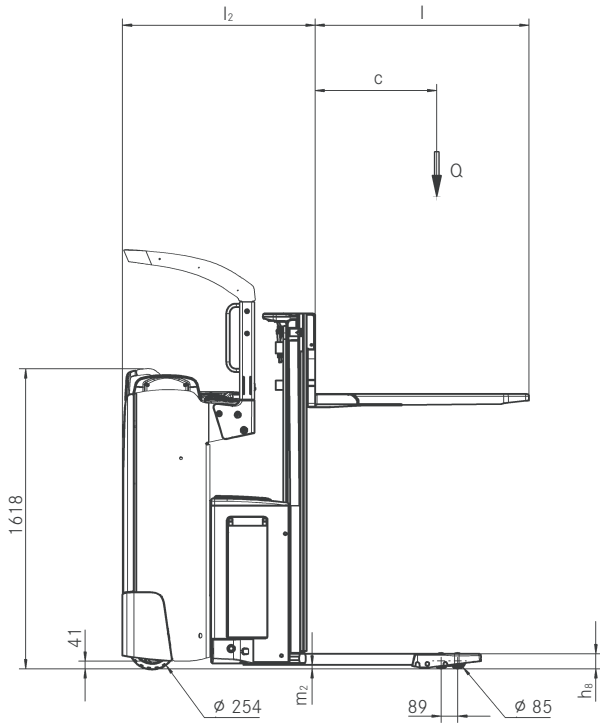


Top view FXV N

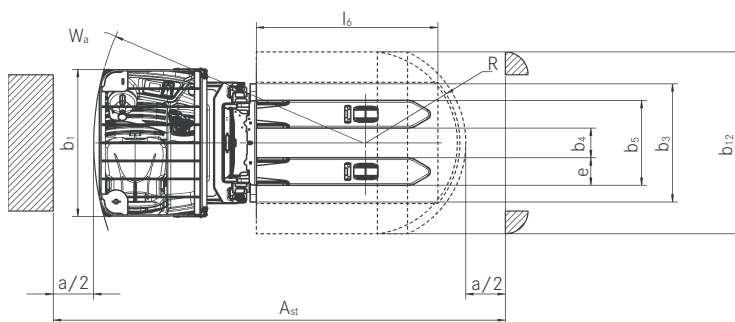
FXV High Lift Pallet Truck  
 Technical Drawings



Side view FXV



Side view FXV



Top view FXV

# FXV N High Lift Pallet Truck

## Detailed Photos



High handling capacity thanks to horizontal transport of loads up to 2000 kg on the initial lift



Optimum view of forks for high handling capacity and fast threading into pallets



Particularly compact truck chassis for operation in narrow aisles



Individual operation thanks to optional Joystick 4Plus for lifting, lowering and transmission control without having to change hands



Standard lateral battery change for maximum availability and ergonomics



Optional automatic level compensation for uneven floors and best possible handling

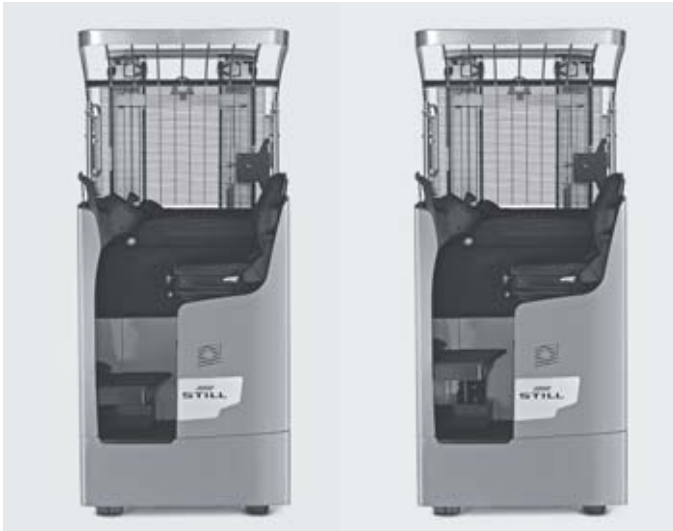
## FXV High Lift Pallet Truck Detailed Photos



High handling capacity with up to 1600 kg lifting capacity and lift heights of up to 6216 mm



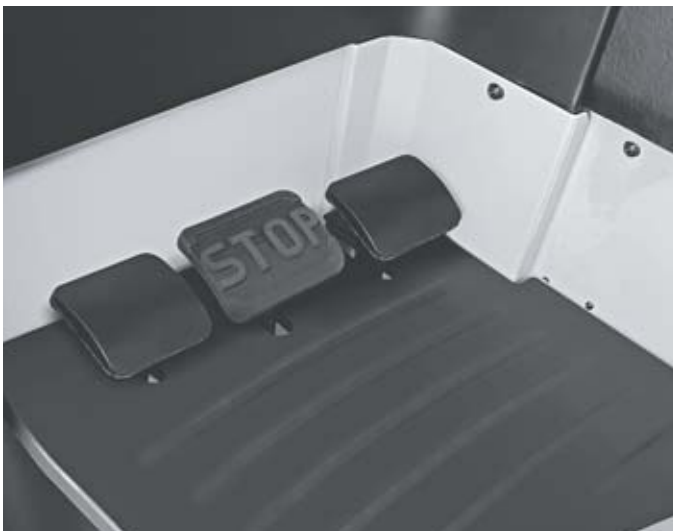
Rapid change of direction and high handling capacity with optional pedals



Fatigue-free travel thanks to the comfort seat and adjustable foot plate for individual operator requirements



Everything in view, all the time: display shows battery status, date and time



Precision down to your toes with pedals for fast direction changes



Always available: the lithium-ion battery is extremely powerful and allows for quick and easy interim charging

FXV N/FXV High Lift Pallet Trucks  
Aiming high in narrow aisles



## FXV N/FXV High Lift Pallet Trucks

### Aiming high in narrow aisles

---

**Best performance:** maximum lifting height of 5316 mm and driving speeds (up to 10 km/h)

**Maximum precision:** Joystick 4Plus and clear view of the forks

**Maximum availability:** lateral battery change and optional Li-ion technology



### FXV N

Aim high with flexible, innovative performance – that is the credo of the energy-efficient FXV 14/16 N high lift pallet truck. It is one of the absolute top performers in its class and can lift up to 1600 kg to a height of more than five meters with an impressive lifting speed. The fleet's top speed of 10 km/h goes hand in hand with optimal safety: the driving speed automatically reduces when cornering and can optionally be adapted dynamically to the current lifting height. The

compact high lift pallet truck is particularly flexible in the choice and arrangement of control elements. For example, the STILL FXV 14/16 N is available with either a steering knob or steering wheel, which can be mounted on either the left- or right-hand side. In combination with the fixed joystick, it provides intuitive and sensitive operation, which can be made even more comfortable with the optional Joystick 4Plus.

**Unbeaten handling capacity:** lift heights up to 6216 mm and maximum driving speed of 12 km/h

**Precision in perfection:** pedals and Joystick 4Plus for precise manoeuvring

**Always available:** battery capacity up to 625 Ah and optional Li-ion technology



### FXV

Ergonomic operation with maximum handling capacity – that is what the FXV 14/16 stands for. With a lifting height of more than 6.2 m and a lifting capacity of up to 1600 kg, it offers the best possible storage density. It is unparalleled for speed; at up to 12 km/h, the FXV is out in front of other high lift pallet trucks. Not only does it move quickly, it is also very safe thanks to the automatic speed reduction based on the steering angle and lifting height. The FXV can handle long operating

times and multi-shift operation with ease. With a battery capacity of up to 625 Ah and optional Li-ion technology, the FXV keeps on going when others have run out of steam. Drivers won't want to leave their cab as the comfortable driver's seat and pedals offer maximum driving comfort, even on long journeys. The FXV offers the ideal combination of performance and comfort for any warehouse.



## FXV N/FXV High Lift Pallet Trucks Extensive Equipment

---

### Power

---

- Aim high: lift heights of up to 6216 mm
- Effective goods handling: driving speed of up to 12 km/h
- Sufficient power for multiple-shift operation: high battery capacity of up to 625 Ah
- Full power: maintenance-free 3 kW AC drive in 24 V technology
- Safe transport of goods thanks to the robust chassis with level compensation as standard
- Always available: the lithium-ion battery is extremely powerful and allows for quick and easy interim charging
- The right driving programme for all situations: ECO, BOOST or Blue-Q – from maximum handling rate to highest efficiency

### Precision

---

- Precise handling of all functions with the joystick without having to keep changing hands
- Fatigue-free operation: precise and smooth electrical steering
- Precise down to the base: optional pedals for fast change of direction and high handling capacity
- Compact and agile: gets to work effortlessly in confined spaces and narrow aisles
- Sensitive and intuitive operation with the proportional valve technology for lifting and lowering
- Everything in view, all the time: display shows battery status, date and time

### Ergonomics

---

- Reduced impact when driving over uneven surfaces with cushioned driver's seat
- Maximum operator comfort thanks to height-adjustable foot plate
- All functions can be easily operated without the need to change hands using the Joystick 4Plus
- Ergonomic and intuitive operation: FXV N available with either steering wheel or steering knob
- Always in operation: easy access to service points and fast lateral battery change
- Individual customisation options: adjustable steering forces and reverse steering

### Compactness

---

- High pallet reloading rate: flexible application options thanks to the compact dimensions
- Optimal use of the warehouse space: truck widths of 820 mm or 970 mm for every application

### Safety

---

- Extremely safe round corners: Curve Speed Control automatically adjusts speed to the steering angle when cornering
- Extremely safe to drive due to speed limiter based on mast height
- High stability on uneven surfaces thanks to the standard automatic level compensation
- The large step and low entry ensure easy and safe access
- Versatile, flexible access control with FleetManager 4.x
- Knowing the weight: Dynamic Load Control indicates the weight of the load and the associated lift height

### Environmental Responsibility

---

- Energy savings of up to seven percent at the touch of a button with no loss of performance: Blue-Q efficiency mode
- Low operating costs: low energy consumption and long maintenance intervals
- Low noise emissions due to extremely quiet drive and lifting motor
- Recyclable: over 95 percent of all installed materials are recyclable

# FXV N/FXV High Lift Pallet Trucks Equipment Variants



	FXV 14 N (i)	FXV 16 N (i)	FXV 14 (i)	FXV 16 (i)	
General	Cushioned driver's seat	●	●	●	●
	Height-adjustable foot plate	●	●	●	●
	Colour display and control unit	●	●	●	●
	Integrated storage options	●	●	●	●
	Fully electric steering	●	●	●	●
	Fully electric steering with reversing function	○	○	○	○
	Hydraulic operation using fixed joystick	●	●	—	—
	Hydraulic operation using Joystick 4Plus	○	○	●	●
	Driving using single pedal	—	—	○	○
	Driving using dual pedal	—	—	○	○
	Steering wheel on the left-hand side	●	●	●	●
	Steering knob on the left-hand side	○	○	—	—
	High-performance AC drive motor	●	●	●	●
	Cold store variant	○	○	○	○
	Accessory rods on the left-hand side	○	○	○	○
	DIN A4 writing surface	○	○	○	○
	Preparation for data terminal	○	○	○	○
	Data transfer via Bluetooth or GPRS	○	○	○	○
	Low entry point and handle	●	●	●	●
Mast	Telescopic mast	○	○	○	○
	HiLo mast	○	○	○	○
	Triplex mast	○	○	○	○
	Mast protective grille	●	●	●	●
	Protective mast screen made from polycarbonate	○	○	○	○
	Initial lift	○	○	○	○
Tyres	Load rollers, polyurethane, single	●	●	—	—
	Load rollers, polyurethane, tandem	○	○	●	●
	Load rollers, polyurethane, tandem, lubricated	○	○	○	○
	Drive wheel, polyurethane	●	●	●	●
	Drive wheel, polyurethane, profiled	○	○	○	○
	Drive wheel, polyurethane, soft	○	○	○	○
	Drive wheel, solid rubber	○	○	○	○
Drive wheel, solid rubber, profiled	○	○	—	—	
Safety	Automatic level compensation	●	●	●	●
	Access authorisation (key)	●	●	●	●
	Access authorisation (digicode)	○	○	○	○
	FleetManager access authorisation (digicode)	○	○	○	○
	FleetManager access authorisation (STILL chip/customer card/customer chip)	○	○	○	○
	FleetManager: shock detection	○	○	○	○
	Curve Speed Control: speed reduction when driving around corners	●	●	●	●
	Dynamic Load Control	○	○	○	○
	Speed reduction based on mast height	●	●	●	●
	Speed limited to 8 km/h	○	○	○	○
	Load backrest	○	○	○	○
Overhead guard	●	●	●	●	
Battery	Lateral battery change with roller track	●	●	●	●
	Battery compartment for battery up to 375 Ah	●	●	●	●
	Battery compartment for battery up to 500 Ah	○	○	○	○
	Battery compartment for battery up to 625 Ah	—	—	○	○
	205 Ah Li-Ion battery	○	○	○	○
410 Ah Li-Ion battery	○	○	○	○	

● Standard ○ Optional — Not available

STILL GmbH  
Berzeliusstraße 10  
D-22113 Hamburg  
Tel.: +49 (0)40/73 39-20 00  
Fax: +49 (0)40/73 39-20 01  
info@still.de

**For further information please visit:**  
**[www.still.eu](http://www.still.eu)**

STILL is certified in the following areas: Quality management, occupational safety, environmental protection and energy management.

